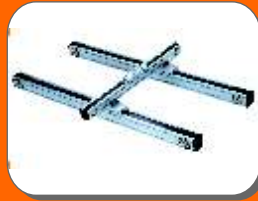




ACTUATORS, X-Y TABLE



LINEAR GUIDEWAY & LM BEARING



BALL SCREW, COUPLING, TIMING BELT & PULLEY



MOTION & CONTROL



ROTARY INDEXING TABLE



ROBOFLEX CHAIN



BEARINGS & BUSHES



AL PROFILE & ACCESSORIES



POWER LOCK

SWLE 200 SERIES



Features

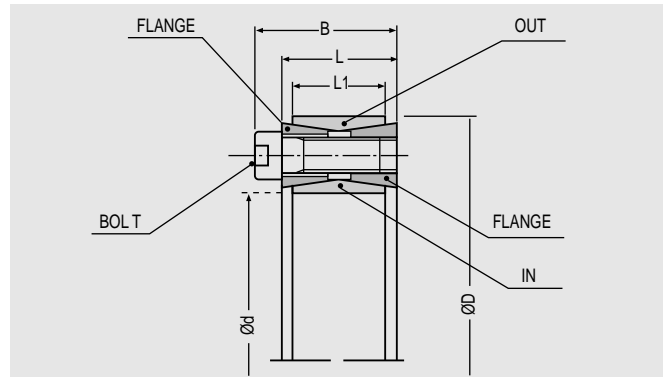
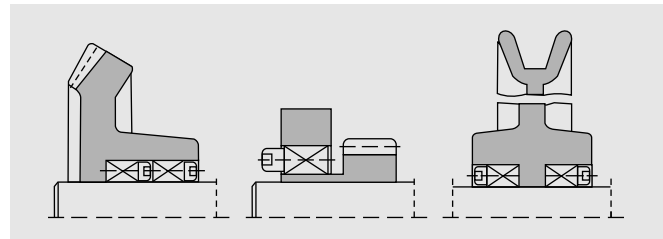
- Material : DIN C45, JIS S45C, KS SM45C
- Hardness : HRC 20~25
- Surface treatment : Barrel grinding

Advantages

- SWLE200 can be used in connecting the shaft and boss when it requires a high transmissible torque.
- Easy assembling and no need for other parts.
- No axial movement during assembly.
- Required shaft : \varnothing 20~ \varnothing 240mm.

Usage

- Pulley, gear, flywheel, cam, lever, etc.



Dimensions (mm)

SWLE200 d X D	Dimensions			Transmissible		Surface Pressure		Bolts			Weight (g)
	L	L1	B	Torque Mt (kgf-m)	Axial Load Pax(kgf)	Shaft kgf/mm ²	Boss kgf/mm ²	Holes	Thread Dia	Torque (kgf-m)	
20 x 47	20	17	26	27	2760	27	11	8	M 6	1.4	208
22 x 47	20	17	26	30	2760	24.5	11.5	8	M 6	1.4	198
24 x 50	20	17	26	37	3110	25	12	9	M 6	1.4	216
25 x 50	20	17	26	39	3110	24	12	9	M 6	1.4	210
28 x 55	20	17	26	48	3450	24	12	10	M 6	1.4	256
30 x 55	20	17	26	52	3460	22.5	12.5	10	M 6	1.4	244
32 x 60	20	17	26	66	4150	25	13.5	12	M 6	1.4	294
35 x 60	20	17	26	72	4150	23	13.5	12	M 6	1.4	276
38 x 65	20	17	26	91	4840	25	14.5	14	M 6	1.4	320
40 x 65	20	17	26	96	4840	23.5	14.5	14	M 6	1.4	308
42 x 75	24	20	32	158	7520	30	17	12	M 8	3.4	556
45 x 75	24	20	32	170	7520	28	17	12	M 8	3.4	522
48 x 80	24	20	32	181	7520	26	15.5	12	M 8	3.4	578
50 x 80	24	20	32	190	7520	25	15.5	12	M 8	3.4	564
55 x 85	24	20	32	242	8800	26.5	17	14	M 8	3.4	610
60 x 90	24	20	32	264	8800	24.5	16	14	M 8	3.4	644
65 x 95	24	20	32	327	10000	26	17.5	16	M 8	3.4	690
70 x 110	28	24	38	480	13600	27	17	14	M 10	6.6	1,214
75 x 115	28	24	38	510	13600	25	16.5	14	M 10	6.6	1,280
80 x 120	28	24	38	540	13600	24	16	14	M 10	6.6	1,346
85 x 125	28	24	38	660	15600	25.5	17.5	16	M 10	6.6	1,424
90 x 130	28	24	38	700	15600	24	16.5	16	M 10	6.6	1,472
95 x 135	28	24	38	830	17600	25.5	18	18	M 10	6.6	1,546
100 x 145	33	26	45	990	19800	25.5	17.5	14	M 12	11.5	2,132
110 x 155	33	26	45	1090	19800	23	16.5	14	M 12	11.5	2,306
120 x 165	33	26	45	1360	22700	24	17.5	16	M 12	11.5	2,400
130 x 180	38	34	50	1840	28400	21.5	15.5	20	M 12	11.5	3,500
140 x 190	38	34	50	2180	31200	22	16	22	M 12	11.5	3,848
150 x 200	38	34	50	2550	34000	22	16.5	24	M 12	11.5	4,100
160 x 210	38	34	50	2950	36900	22.5	17	26	M 12	11.5	4,400
170 x 225	44	38	58	3560	41900	21.5	16.5	22	M 14	18.0	5,800
180 x 235	44	38	58	4110	45700	22	17	24	M 14	18.0	6,100
190 x 250	52	46	66	5060	53300	20	15.5	28	M 14	18.0	8,300
200 x 260	52	46	66	5710	57100	20.5	16	30	M 14	18.0	8,700
220 x 285	56	50	72	7410	67400	20.5	15.5	26	M 16	28.0	11,300
240 x 305	56	50	72	9330	77800	21.5	17	30	M 16	28.0	12,200

Regd. Office : 5224, Nigam Market, G.B. Road, Delhi - 110006

Head Office : B-97/4, Naraina Industrial Area, Phase - I, New Delhi - 28 Ph.: 011 - 42709155 / 66 Fax : 011 - 45040209

Branch Office : Door No. 1/9, Rajamannar Salai, Vijayaraghavapuram, K.K. Nagar, Chennai - 600 093 Ph.: 044 - 42669808

Email : info@pbh.in

D-24

Website : www.pbh.in

POWER LOCK

SWLE 200A SERIES

Advantages

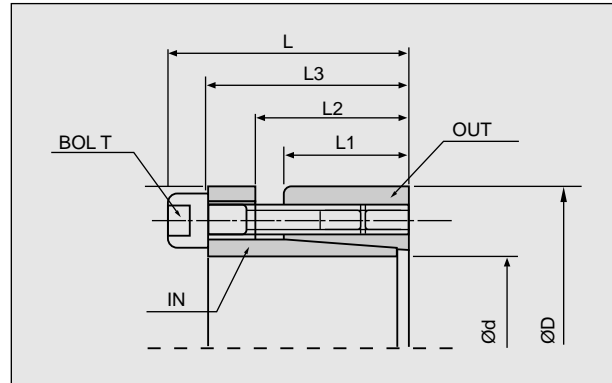
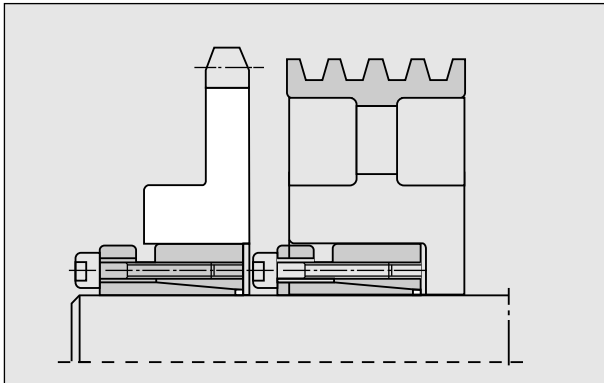
- SWLE200-A applies to high transmissible torque and precise positioning.
- No axial shift while assembling.
- Required shaft : $\varnothing 19\sim \varnothing 100\text{mm}$

Usage

- Pulley, gear, flywheel, cam, lever, etc.

Features

- Material : DIN C45, JIS S45C, KS SM45C
- Hardness : HRC 20~25
- Surface treatment : Barrel grinding



Dimensions (mm)

SWLE200 A d X D	Dimensions					Clamp Bolts			Transmissible		Surface Pressure		Weight (g)
	L	L3	L2	L1	$\varnothing D$	Holes	Thread	Torque	Torque Mt(kgf-m)	Axial Load Pax (kg)	Shaft kgf/mm ²	Boss kgf/mm ²	
19 x 47	38	32	24	20	47	6	M 6 x 22	1.6	30	3,100	30.4	9.8	325
20 x 47	38	32	24	20	47	6	M 6 x 22	1.6	31	3,100	28.8	9.8	315
22 x 47	38	32	24	20	47	6	M 6 x 22	1.6	34	3,100	26.2	9.8	305
24 x 50	38	32	24	20	50	7	M 6 x 22	1.6	47	3,900	30.0	11.5	345
25 x 50	38	32	24	20	50	7	M 6 x 22	1.6	49	3,900	28.8	11.5	335
28 x 55	38	32	24	20	55	7	M 6 x 22	1.6	55	3,900	25.7	10.5	395
30 x 55	38	32	24	20	55	7	M 6 x 22	1.6	59	3,900	24.0	10.5	375
32 x 60	38	32	24	20	60	9	M 6 x 22	1.6	75	4,650	27.0	11.5	455
35 x 60	38	32	24	20	60	9	M 6 x 22	1.6	82	4,650	24.7	11.5	420
38 x 65	38	32	24	20	65	9	M 6 x 22	1.6	89	4,650	22.7	10.6	490
40 x 65	38	32	24	20	65	9	M 8 x 30	3.9	93	4,650	21.6	10.6	465
42 x 75	48	40	29	24	75	9	M 8 x 30	3.9	181	8,600	31.9	14.2	855
45 x 75	48	40	29	24	75	9	M 8 x 30	3.9	194	8,600	29.8	14.2	795
48 x 80	48	40	29	24	80	9	M 8 x 30	3.9	207	8,600	27.9	13.3	905
50 x 80	48	40	29	24	80	9	M 8 x 30	3.9	216	8,600	26.8	13.3	860
55 x 85	48	40	29	24	85	10	M 8 x 30	3.9	277	10,000	28.4	14.6	935
60 x 90	48	40	29	24	90	10	M 10 x 40	7.5	302	10,000	26.0	13.8	1,000
65 x 95	48	40	29	24	95	12	M 10 x 40	7.5	374	11,500	27.5	14.9	1,070
70 x 110	62	52	37	30	110	10	M 10 x 40	7.5	554	15,800	29.0	14.2	2,060
75 x 115	62	52	37	30	115	10	M 10 x 40	7.5	594	15,800	27.0	13.5	2,170
80 x 120	62	52	37	30	120	10	M 10 x 40	7.5	633	15,800	25.4	13.0	2,280
85 x 125	62	52	37	30	125	12	M 10 x 40	7.5	769	18,000	27.3	14.3	2,400
90 x 130	62	52	37	30	130	12	M 10 x 40	7.5	814	18,000	25.8	13.7	2,510
95 x 135	62	52	37	30	135	14	M 10 x 40	7.5	1,074	25,000	30.5	16.5	2,650
100 x 145	74	64	46	39	145	15	M 10 x 40	7.5	1,130	25,000	20.9	11.8	3,950

POWER LOCK

SWLE 200B SERIES

Advantages

- SWLE200-B applies to high transmissible torque and precise positioning.
- No axial shift while assembling.
- Required shaft : $\varnothing 8 \sim \varnothing 100\text{mm}$

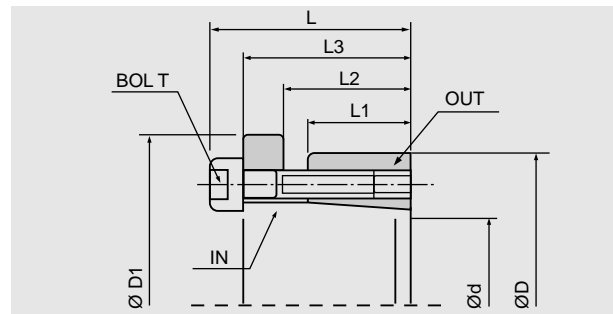
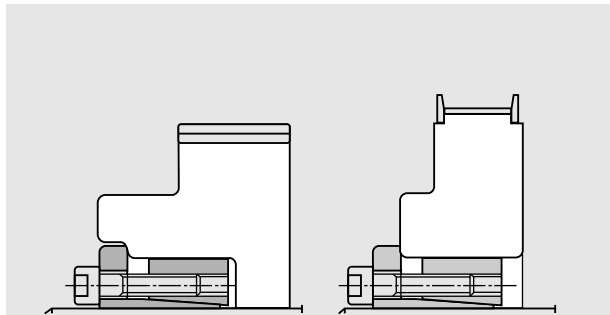
Usage

- Pulley, gear, flywheel, cam, lever, etc.



Features

- Material : DIN C45, JIS S45C, KS SM45C
- Hardness : HRC 20~25
- Surface treatment : Barrel grinding



Dimensions (mm)

SWLE200 B d X D	Dimensions						Clamp Bolts			Transmissible		Surface Pressure		Weight (g)
	L	L3	L2	L1	$\varnothing D$	$\varnothing D_1$	Holes	Thread	Torque	Torque Mt(kgf-m)	Axial Load Pax (kgf)	Shaft kgf/mm ²	Boss kgf/mm ²	
8 x 22	21	17	13	10	22	25	3	M 4 x 15	0.39	1.8	470	27.9	7.1	45
9 x 23	21	17	13	10	23	26	3	M 4 x 15	0.39	2.1	470	24.8	6.8	50
10 x 24	21	17	13	10	24	27	4	M 4 x 15	0.39	3.0	620	30.0	8.7	53
11 x 25	21	17	13	10	25	28	4	M 4 x 15	0.39	3.4	620	27.0	8.4	56
12 x 26	21	17	13	10	26	29	5	M 4 x 15	0.39	4.7	780	31.0	10.0	60
13 x 27	21	17	13	10	27	30	5	M 5 x 15	0.8	5.0	750	28.6	9.7	63
14 x 31	26	21	16	12.5	31	34	4	M 5 x 15	0.8	7.0	1,000	26.6	8.7	100
15 x 32	26	21	16	12.5	32	35	4	M 5 x 15	0.8	7.5	1,000	24.8	8.4	105
16 x 33	26	21	16	12.5	33	36	4	M 5 x 15	0.8	8.0	1,000	23.2	8.1	110
17 x 34	26	21	16	12.5	34	37	5	M 6 x 22	1.6	10.5	1,250	27.3	9.9	115
18 x 35	26	21	16	12.5	35	38	5	M 6 x 22	1.6	11.0	1,250	25.8	9.6	120
19 x 47	38	32	24	20	47	53	6	M 6 x 22	1.6	29	3,000	29.0	9.4	355
20 x 47	38	32	24	20	47	53	6	M 6 x 22	1.6	30	3,000	27.5	9.4	350
22 x 47	38	32	24	20	47	53	6	M 6 x 22	1.6	33	3,000	25.0	9.4	335
24 x 50	38	32	24	20	50	56	7	M 6 x 22	1.6	42	3,450	26.7	10.3	380
25 x 50	38	32	24	20	50	56	7	M 6 x 22	1.6	44	3,450	25.7	10.3	370
28 x 55	38	32	24	20	55	62	7	M 6 x 22	1.6	48	3,450	22.9	9.4	440
30 x 55	38	32	24	20	55	62	7	M 6 x 22	1.6	52	3,450	21.4	9.4	425
32 x 60	38	32	24	20	60	68	9	M 6 x 22	1.6	71	4,450	25.8	11.0	510
35 x 60	38	32	24	20	60	68	9	M 8 x 30	3.9	78	4,450	23.6	11.0	475
38 x 65	38	32	24	20	65	73	9	M 8 x 30	3.9	85	4,450	21.7	10.0	550
40 x 65	38	32	24	20	65	73	9	M 8 x 30	3.9	90	4,450	20.6	10.2	520
42 x 75	48	40	29	24	75	83	9	M 8 x 30	3.9	173	8,200	30.5	13.5	955
45 x 75	48	40	29	24	75	83	9	M 8 x 30	3.9	185	8,200	28.4	13.5	900
48 x 80	48	40	29	24	80	88	9	M 8 x 30	3.9	198	8,200	26.7	12.7	1,010
50 x 80	48	40	29	24	80	88	9	M 10 x 40	7.5	206	8,200	25.6	12.7	950
55 x 85	48	40	29	24	85	94	10	M 10 x 40	7.5	252	9,100	25.8	13.2	1,060
60 x 90	48	40	29	24	90	99	10	M 10 x 40	7.5	275	9,100	23.7	12.5	1,130
65 x 95	48	40	29	24	95	104	12	M 10 x 40	7.5	357	11,000	26.3	14.2	1,220
70 x 110	62	52	37	30	110	119	10	M 10 x 40	7.5	504	14,400	26.4	12.9	2,280
75 x 115	62	52	37	30	115	124	10	M 10 x 40	7.5	540	14,400	24.6	12.3	2,400
80 x 120	62	52	37	30	120	129	10	M 10 x 40	7.5	575	14,400	23.0	11.8	2,520
85 x 125	62	52	37	30	125	134	12	M 10 x 40	7.5	734	17,000	26.0	13.6	2,660
90 x 130	62	52	37	30	130	139	12	M 10 x 40	7.5	775	17,000	24.6	13.0	2,780
95 x 135	62	52	37	30	135	144	14	M 10 x 40	7.5	955	20,000	27.2	14.7	2,980
100 x 145	74	64	46	39	145	154	15	M 10 x 40	7.5	1,080	21,000	19.9	11.3	4,300

Regd. Office : 5224, Nigam Market, G.B. Road, Delhi - 110006

Head Office : B-97/4, Naraina Industrial Area, Phase - I, New Delhi - 28 Ph.: 011 - 42709155 / 66 Fax : 011 - 45040209

Branch Office : Door No. 1/9, Rajamannar Salai, Vijayaraghavapuram, K.K. Nagar, Chennai - 600 093 Ph.: 044 - 42669808

Email : info@pbh.in

D-26

Website : www.pbh.in



PRECISION BEARING HOUSE



POWER LOCK

SWLE 300 SERIES

Advantages

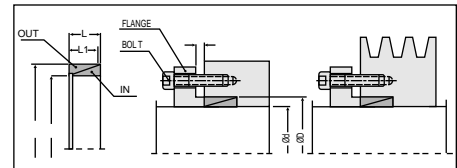
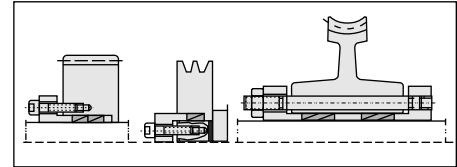
- SWLE300 can be used when it requires large-scale KEY and radial work is not allowed.
- Max assembled up to 4, suitable for carrying high loads.
- Required shaft : \varnothing 10~ \varnothing 200mm

Usage

- Pulley, gear, flywheel, cam, lever, etc.

Features

- Material : JIS SCM 440
- Hardness : HRC 20~25
- Surface treatment : Barrel grinding



Dimensions (mm)

SWLE300 d X D	Dimensions		POWER LOCK				Axial Load		Surface Pressure		Weight (g)
	L	L1	1W	2W	3W	4W	Torque kgf-m	Axial Thrust kgf	Shaft kgf/mm ²	Boss kgf/mm ²	
10 x 13	4.5	3.7	2.5	2.5	3	4	0.69	135	12	9.3	1.6
11 x 14	4.5	3.7	2.5	2.5	3	4	0.84	150	12	9.4	1.8
12 x 15	4.5	3.7	2.5	2.5	3	4	1	165	12	9.6	2.0
13 x 16	4.5	3.7	2.5	2.5	3	4	1.1	180	12	9.8	2.4
14 x 18	6.3	5.3	3	4	5	6	2	285	12	9.4	4.6
15 x 19	6.3	5.3	3	4	5	6	2.3	300	12	9.5	5.0
16 x 20	6.3	5.3	3	4	5	6	2.6	325	12	9.6	5.0
17 x 21	6.3	5.3	3	4	5	6	2.9	345	12	9.8	5.4
18 x 22	6.3	5.3	3	4	5	6	3.3	365	12	9.8	5.6
19 x 24	6.3	5.3	3	4	5	6	3.6	385	12	9.5	7.2
20 x 25	6.3	5.3	3	4	5	6	4	400	12	9.6	7.8
22 x 26	6.3	5.3	4	4	5	6	4.9	445	12	10.2	6.8
24 x 28	6.3	5.3	4	4	5	6	5.8	485	12	10.3	7.4
25 x 30	6.3	5.3	4	4	5	6	6.3	500	12	10	9.8
28 x 32	6.3	5.3	4	4	5	6	8	570	12	10.5	8.6
30 x 35	6.3	5.3	4	4	5	6	9.1	610	12	10.3	11.4
32 x 36	6.3	5.3	4	4	5	6	10.4	650	12	10.7	9.8
35 x 40	7	6	4	4	5	6	14.2	810	12	10.5	15.0
36 x 42	7	6	4	4	5	6	15	830	12	10.3	18.2
38 x 44	7	6	4	4	5	6	16.7	880	12	10.4	18.8
40 x 45	8	6.6	4	5	6	7	19.8	990	12	10.7	20.0
42 x 48	8	6.6	4	5	6	7	21.9	1,040	12	10.5	23.8
45 x 52	10	8.6	4	5	6	7	33.3	1,480	12	10.4	38.4
48 x 55	10	8.6	4	5	6	7	38	1,580	12	10.5	41.8
50 x 57	10	8.6	4	5	6	7	41.2	1,650	12	10.5	42.2
55 x 62	10	8.6	4	5	6	7	49.9	1,800	12	10.7	46.8
56 x 64	12	10.4	4	5	6	7	63.2	2,250	12	10.5	66.8
60 x 68	12	10.4	4	5	6	7	72.5	2,400	12	10.6	73
63 x 71	12	10.4	4	5	6	7	80	2,500	12	10.7	75
65 x 73	12	10.4	4	5	6	7	85	2,600	12	10.7	76
70 x 79	14	12.2	4	6	7	8	114	3,200	12	10.6	102
71 x 80	14	12.2	4	6	7	8	118	3,300	12	10.7	104
75 x 84	14	12.2	4	6	7	8	131	3,500	12	10.7	110
80 x 91	17	15	4	6	7	8	186	4,650	12	10.6	175
85 x 96	17	15	4	6	7	8	210	4,900	12	10.6	190
90 x 101	17	15	4	6	7	8	235	5,200	12	10.7	200
95 x 106	17	15	4	6	7	8	262	5,500	12	10.8	210
100 x 114	21	18.7	5	6	7	9	362	7,200	12	10.5	360
110 x 124	21	18.7	5	6	7	9	438	7,900	12	10.7	380
120 x 134	21	18.7	5	6	7	9	521	8,700	12	10.8	420
130 x 148	28	25.3	6	7	9	11	839	12,900	12	10.5	800
140 x 158	28	25.3	6	7	9	11	973	13,900	12	10.6	860
150 x 168	28	25.3	6	7	9	11	1,115	14,900	12	10.7	920
160 x 178	28	25.3	6	7	9	11	1,270	15,900	12	10.8	960
170 x 191	33	30	7	8	9	12	1,710	20,100	12	10.7	1,450
180 x 201	33	30	7	9	10	12	1,920	21,300	12	10.8	1,500
190 x 211	33	30	7	9	10	12	2,130	22,500	12	10.8	1,600
200 x 224	38	34.8	7	9	11	13	2,740	27,400	12	10.7	2,200

Regd. Office : 5224, Nigam Market, G.B. Road, Delhi - 110006

Head Office : B-97/4, Naraina Industrial Area, Phase - I, New Delhi - 28 Ph.: 011 - 42709155 / 66 Fax : 011 - 45040209

Branch Office : Door No. 1/9, Rajamannar Salai, Vijayaraghavapuram, K.K. Nagar, Chennai - 600 093 Ph.: 044 - 42669808

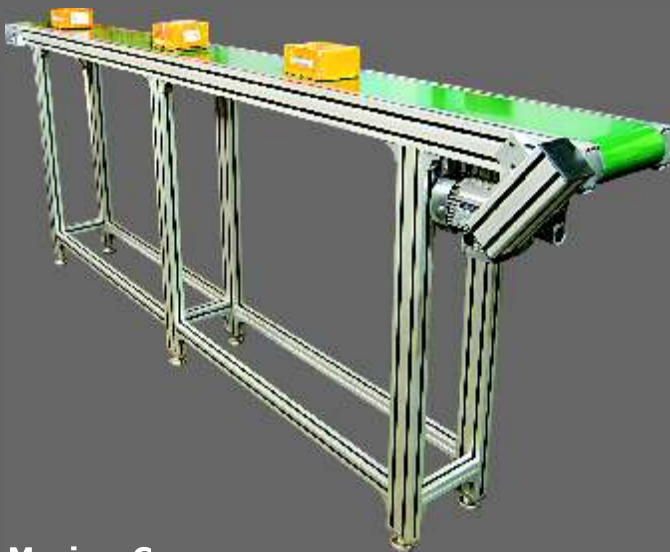
Email : info@pbh.in

D-27

Website : www.pbh.in

SOLUTIONS FOR INDUSTRIAL AUTOMATION

- Linear Guides
- Ball Screw & Lead Screw
- Ball Screw Support Unit
- Coupling
- Linear Motion Bearing
- Shafts (Hardened & Ground)
- Pillow Block Bearing Unit
- Precision Lock Nut & Power Lock
- Timing Belt & Pulley
- Actuators, X-Y Tables
- Maxima Work Table & Conveyor
- Stepper Motors, Drivers
- AC Servo Motors & Drive
- Motion & Controllers
- Rotary Indexing Tables
- Cable Drag Chain (Robochain)
- Aluminium Profile & Accessories
- Leveling Foot Mount & Autocaster



Maxima Conveyor



Maxima Work Table