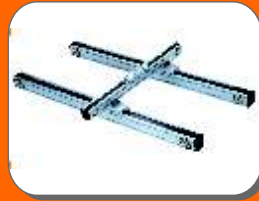




ACTUATORS, X-Y TABLE



LINEAR GUIDEWAY & LM BEARING



BALL SCREW, COUPLING, TIMING BELT & PULLEY



MOTION & CONTROL



ROTARY INDEXING TABLE



ROBOFLEX CHAIN

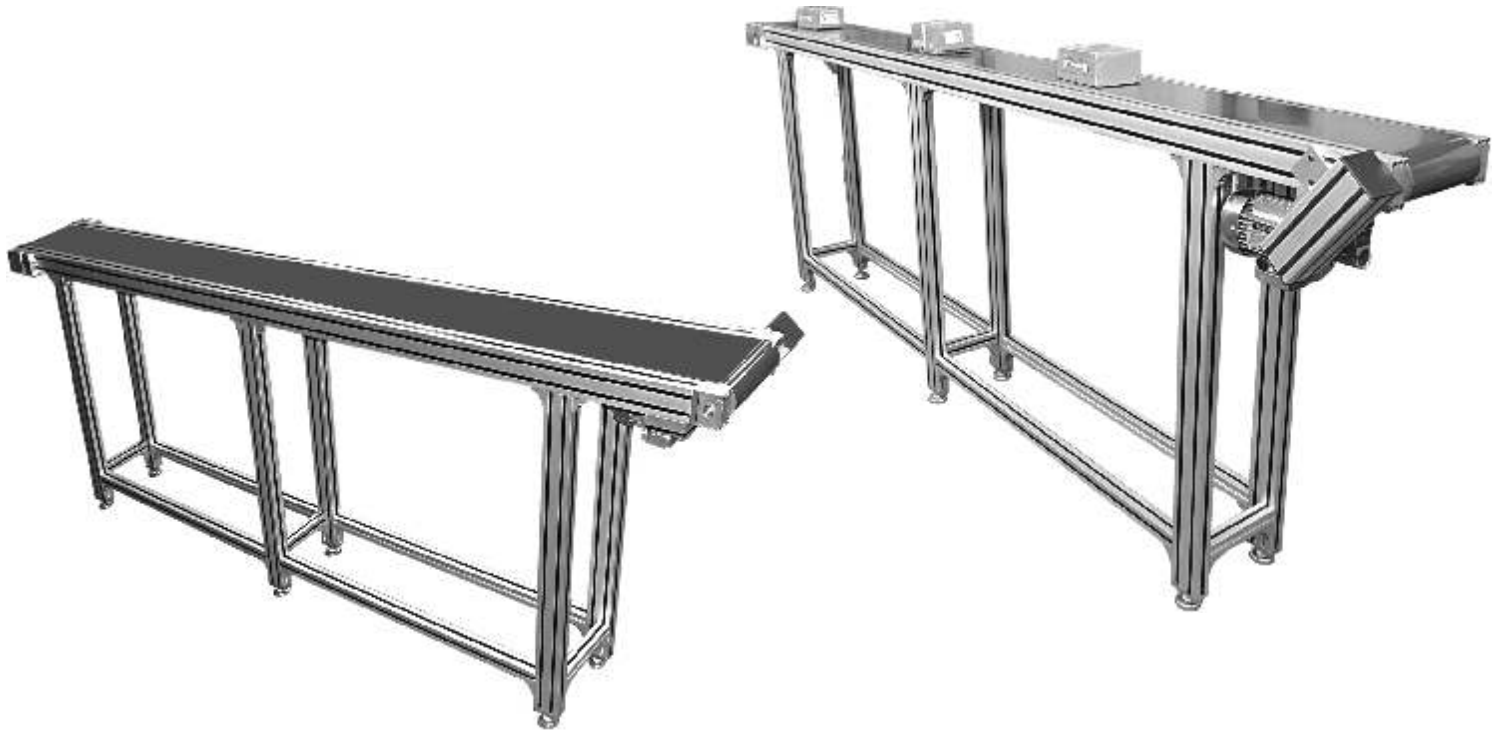


BEARINGS & BUSHES



AL PROFILE & ACCESSORIES





How to Order :

Please send used the following order :

For a Quote / Order

Length (L) ____ mm

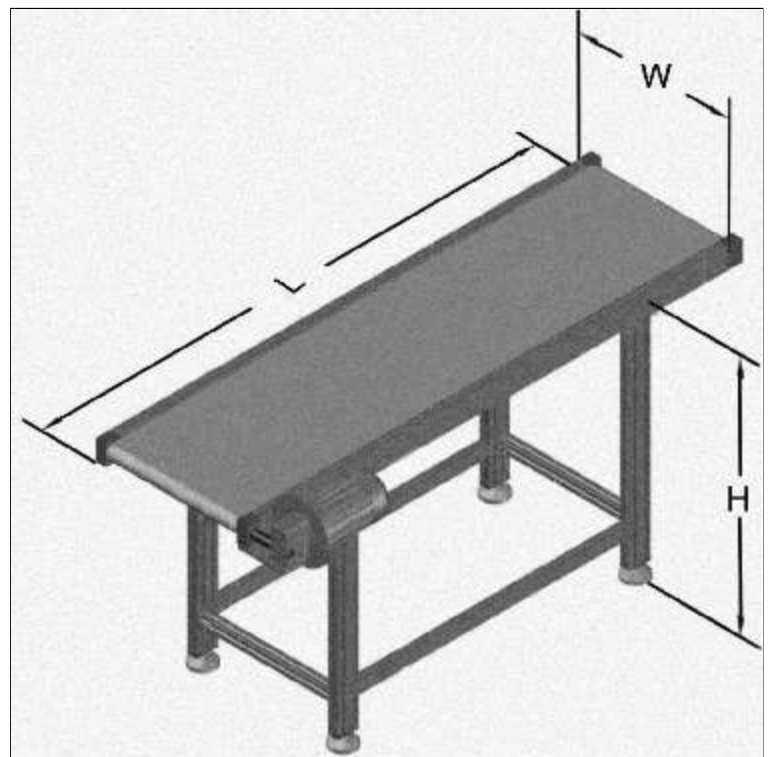
Width (W) ____ mm

Height (H) ____ mm

Speed _____ mtr. / min.

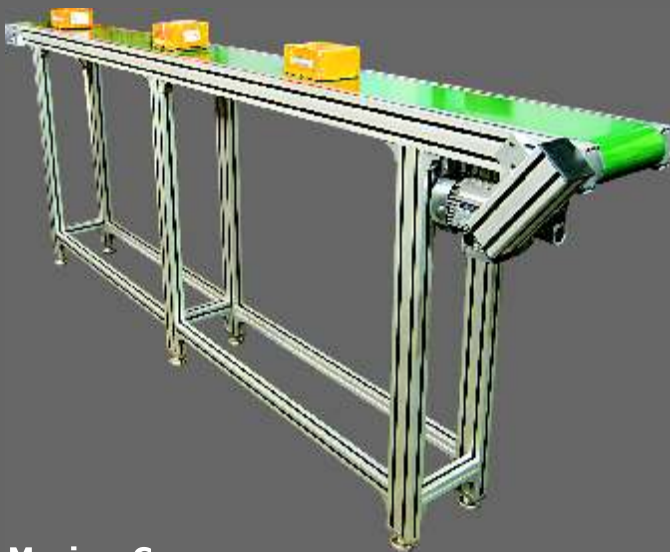
Weight on Conveyor ____ Kg.

Variable Speed require YES NO



SOLUTIONS FOR INDUSTRIAL AUTOMATION

- Linear Guides
- Ball Screw & Lead Screw
- Ball Screw Support Unit
- Coupling
- Linear Motion Bearing
- Shafts (Hardened & Ground)
- Pillow Block Bearing Unit
- Precision Lock Nut & Power Lock
- Timing Belt & Pulley
- Actuators, X-Y Tables
- Maxima Work Table & Conveyor
- Stepper Motors, Drivers
- AC Servo Motors & Drive
- Motion & Controllers
- Rotary Indexing Tables
- Cable Drag Chain (Robochain)
- Aluminium Profile & Accessories
- Leveling Foot Mount & Autocaster



Maxima Conveyor



Maxima Work Table