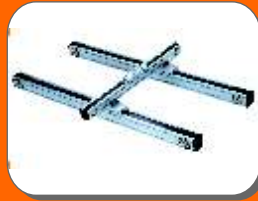




ACTUATORS, X-Y TABLE



LINEAR GUIDEWAY & LM BEARING



BALL SCREW, COUPLING, TIMING BELT & PULLEY



MOTION & CONTROL



ROTARY INDEXING TABLE



ROBOFLEX CHAIN



BEARINGS & BUSHES



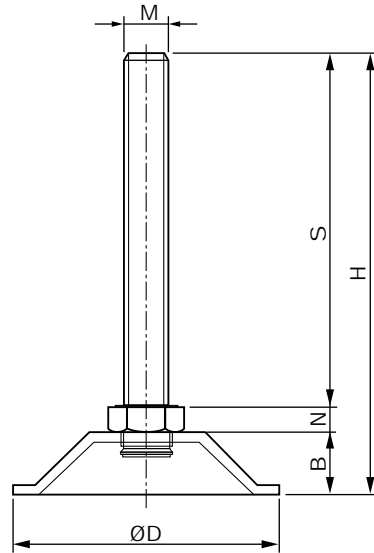
AL PROFILE & ACCESSORIES



LEVELING FOOT MOUNT

BL

**(GENENERY STANDARD)
STEEL & STAINLESS**



MODEL	DIMENSIONS (m/m)							FINISH	4EA/kg						
	D	M	S	H	N	B									
BL/NBL (STEEL) SBL/PSBL (SUS)	36	M6X1.0	40	55	6	9	2t	BL NBL	200						
		M8X1.25	40	55					250						
	36	M10X1.5	80	95	7	15	2.6t		300						
			60	85					400						
		100	122	600											
		M12X1.75	50	73					8	15	2.5t	800			
			70	93								600			
			100	123								800			
	125		148												
	63	M12X1.75	150	173	8	15			700						
			50	73					900						
			70	93											
			100	123											
		M16X2.0	125	148					10	17	3t	1000			
			150	173								1200			
			200	223											
			45	70								10	17	3t	1200
			70	95											1400
			100	125											
	125	150													
	150	175													
	170	197													
	76	M16X2.0	100	127	10	13	17		3t	1500					
			125	152						1800					
			150	177											
			180	207											
			200	227											
			250	277											
300			327												
80			110	13				17		4.5t	1800				
100		130	2200												
125		155													
150		180													
180		210													
200		230													
95		M20X2.5	250	280	13	22	4.0t	4.5t	1800						
	300		330	2200											
	80		115												
	100		135												
	125		160												
	150		185												
	180		215												
	200		235												
250	285														
300	335														

PARTICULAR CASE IS MADE-TO-ORDER

Regd. Office : 5224, Nigam Market, G.B. Road, Delhi - 110006

Head Office : B-97/4, Naraina Industrial Area, Phase - I, New Delhi - 28 Ph.: 011 - 42709155 / 66 Fax : 011 - 45040209

Branch Office : Door No. 1/9, Rajamannar Salai, Vijayaraghavapuram, K.K. Nagar, Chennai - 600 093 Ph.: 044 - 42669808

Email : info@pbh.in

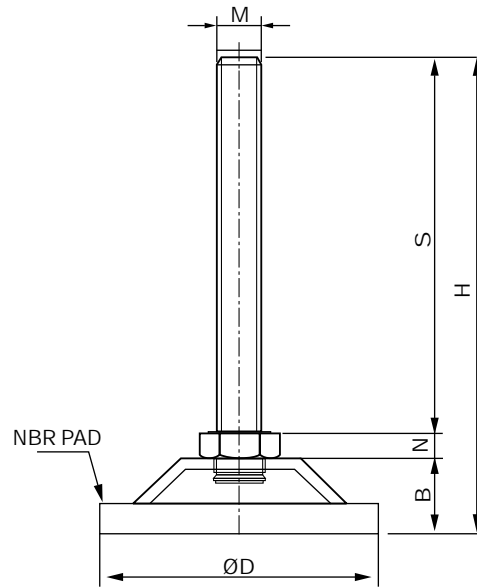
H-40

Website : www.pbh.in

LEVELING FOOT MOUNT

RB

**(THE DUSTPROOF AND SLIDEPROOF)
STEEL & STAINLESS**



MODEL	DIMENSIONS (m/m)							FINISH	4EA/kg			
	D	M	S	H	N	B						
RB/NRB (STEEL) SRB/PSRB (SUS)	40	M6X1.0	40	59	6	13	2t	RB NRB	200			
		M8X1.25	40	59					250			
	55	M10X1.5	80	99	7	20	2.6t		300			
			60	87					400			
		M12X1.75	100	127	8				600			
			50	78					800			
			70	98					21	1000		
			100	128							1200	
	68	M12X1.75	125	152	8	21	3t		900			
			150	178					10	1200		
		50	79	23							1500	
		70	99									1800
		M16X2.0	100	131							10	23
			125	156					13	1800		
	150		181	13	2200							
	45		76			29	1800					
	70		101						13	1800		
	100		131			13	1800					
	125	156	13	1800								
	150	181			13	1800						
	81	M16X2.0	45	78			10		23	3t	1200	
			70	103	13	1800						
		100	133	13							1800	
		125	158									13
M20X2.5		150	183	13				29			4.5t	
		180	213		13	1800						
	200	233	13				1800					
	250	283			13	1800						
	300	333	13				1800					
	80	116			13	1800						
100	136	13	1800									
125	161			13	1800							
150	186	13	1800									
180	216			13	1800							
200	236	13	1800									
250	286			13	1800							
300	336	13	1800									
103	M20X2.5			80	122	13	29	4.5t	1800			
		100	142	13	2200							
	125	167	13						2200			
	150	192								13	2200	
	180	222	13						2200			
	200	242		13	2200							
250	292	13	2200									
350	342			13	2200							

PARTICULAR CASE IS MADE-TO-ORDER

Regd. Office : 5224, Nigam Market, G.B. Road, Delhi - 110006

Head Office : B-97/4, Naraina Industrial Area, Phase - I, New Delhi - 28 **Ph.:** 011 - 42709155 / 66 **Fax :** 011 - 45040209

Branch Office : Door No. 1/9, Rajamannar Salai, Vijayaraghavapuram, K.K. Nagar, Chennai - 600 093 **Ph.:** 044 - 42669808

Email : info@pbh.in

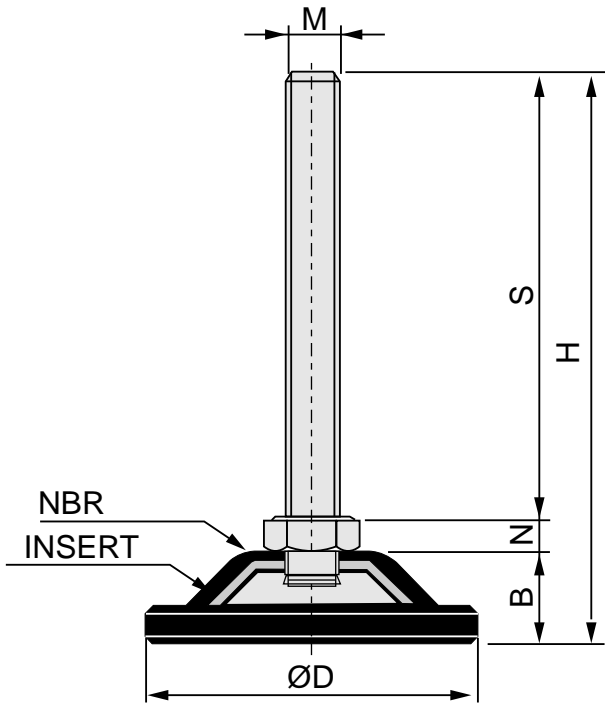
H-41

Website : www.pbh.in

LEVELING FOOT MOUNT

RL

(DUTY CUSHIONING TYPE)
STEEL & STAINLESS



MODEL	DIMENSIONS (m/m)							FINISH	4EA/kg
	D	M	S	H	N	B	P		
RL/NRL (STEEL) SRL (SUS)	40	M6X1.0	40	62	6	16	2t 2t	RL NRL SRL	200 250
		M8X1.25	40	62					200 350
	55	M10X1.5	60	91	7	24	2.6t 2.5t		400 500
			100	131					600 700
	68	M12X1.75	50	83	8	25	3t 3t		900 1000
			70	103					1200 1300
			100	133					
			125	158					
			150	183					
			200	233					
	82	M16X2.0	45	85	10	30	3t 3t		1200 1300
			70	110					
			100	140					
			125	165					
			150	190					
			180	220					
		M20X2.5	200	240	13				
			250	290					
80			123						
100			133						
		125	158						
		150	183						
		180	213						
		200	233						
		250	283						

PARTICULAR CASE IS MADE-TO-ORDER

Regd. Office : 5224, Nigam Market, G.B. Road, Delhi - 110006

Head Office : B-97/4, Naraina Industrial Area, Phase - I, New Delhi - 28 Ph.: 011 - 42709155 / 66 Fax : 011 - 45040209

Branch Office : Door No. 1/9, Rajamannar Salai, Vijayaraghavapuram, K.K. Nagar, Chennai - 600 093 Ph.: 044 - 42669808

Email : info@pbh.in

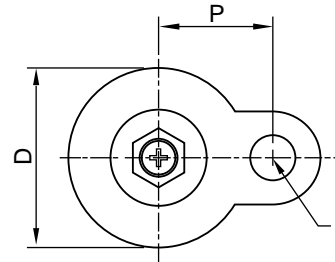
H-42

Website : www.pbh.in

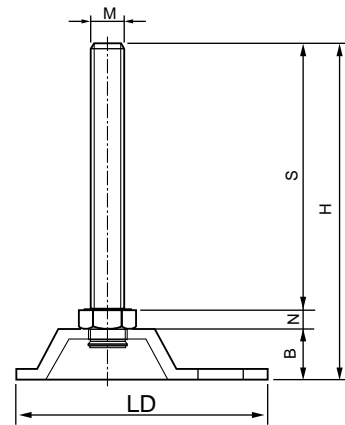
LEVELING FOOT MOUNT

ABL

(STANDARD ANCHOR STYLE)
STEEL & STAINLESS



M6, M8, M10 : Ø10
M12 : Ø13
M16 : Ø17.5
M20 : Ø17.5



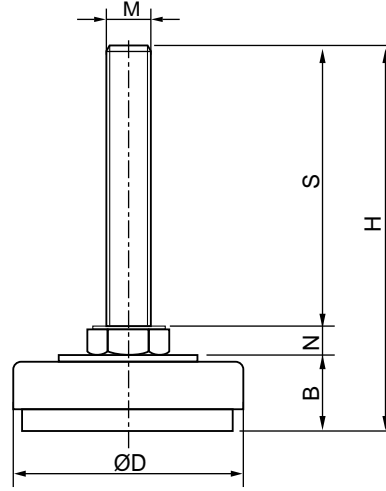
MODEL	DIMENSIONS (m/m)									FINISH	4EA/kg																								
	D	M	S	H	N	B	LD	P																											
ABL/NABL (STEEL) SABL/ PSABL (SUS)	42	M6X1.0	40	58	6	12	12	12	2.5t 2.5t	RB NRB SRB PSRB	200	250																							
		M8X1.25	40	58							250	300																							
		M10X1.5	80	98							400	500																							
			60	79	7						15	15	15	3t	700	900																			
			100	119											700	900																			
		50	73	8											17	17	17	4.5t 4.0t	1800	2000															
	70	93	1200		1400																														
	100	123	10		22	22	22	4.5t 4.0t	1800												2000														
	125	148		13																		22	22	22	4.5t 4.0t	1800	2000								
	150	173									13	22	22	22														4.5t 4.0t	1800	2000					
	200	223	13																												22	22	22	4.5t 4.0t	1800
	70	97		10											22	22	22	4.5t 4.0t	1800	2000															
	100	127									13																								
	125	152	13		22	22	22	4.5t 4.0t	1800												2000														
	150	177		13																		22	22	22	4.5t 4.0t	1800	2000								
	180	207									13	22	22	22														4.5t 4.0t	1800	2000					
	200	227	13																												22	22	22	4.5t 4.0t	1800
	250	277		13											22	22	22	4.5t 4.0t	1800	2000															
	300	327									13																								
	80	110	13		22	22	22	4.5t 4.0t	1800												2000														
	100	130		13																		22	22	22	4.5t 4.0t	1800	2000								
	125	155									13	22	22	22														4.5t 4.0t	1800	2000					
	150	180	13																												22	22	22	4.5t 4.0t	1800
	180	210		13											22	22	22	4.5t 4.0t	1800	2000															
200	230	13								22	22																								
250	280		13		22	22	22	4.5t 4.0t	1800												2000														
300	330			13																		22	22	22	4.5t 4.0t	1800	2000								
80	115	13										22	22	22														4.5t 4.0t	1800	2000					
100	135		13																												22	22	22	4.5t 4.0t	1800
125	160			13											22	22	22	4.5t 4.0t	1800	2000															
150	185	13								22	22																								
180	215		13		22	22	22	4.5t 4.0t	1800												2000														
200	235			13																		22	22	22	4.5t 4.0t	1800	2000								
250	285	13										22	22	22														4.5t 4.0t	1800	2000					
300	335		13																												22	22	22	4.5t 4.0t	1800

PARTICULAR CASE IS MADE-TO-ORDER

LEVELING FOOT MOUNT

NS

(DUTY CUSHIONING TYPE)
STEEL & STAINLESS



MODEL	DIMENSIONS (m/m)						FINISH	4EA/kg
	D	M	S	H	N	B		
NS (STEEL)	30	M6X1.0	40	61	6	13	1.5t	150
		M8X1.25	40	61				180
	M6X1.0	80	101	200				
	M8X1.25	40	63	250				
	40	M6X1.0	40	63	17	170		
		M8X1.25	40	63		200		
	48	M10X1.5	80	103	7	17.5	170	
			60	84.5			200	
		M12X1.75	100	124.5	8		400	
			50	75.5			500	
			70	95.5			600	
			100	125.5				
			125	150.5				
			150	175.5				
		M16X2.0	200	225.5	10		700	
			45	72.5			800	
			70	97.5				
		61	M12X1.75	100	126.5		8	18.5
	125			151.5	750			
	150			176.5				
	200			226.5				
	M16X2.0		45	73.5	10	800		
			70	98.5		900		
			100	128.5				
			125	153.5				
			150	178.5				
			180	208.5				
	M20X2.5	200	228.5	13	900			
		250	278.5		1100			
		80	111.5					
100		131.5						
125		156.5						
72	M16X2.0	150	181.5	10	20	900		
		180	211.5			1100		
		200	231.5					
		250	281.5					
		45	75			13	1000	
	70	100	1400					
	100	130						
	125	155						
	150	180						
	M20X2.5	180	210	13				
200		230						
250		280						
80		113						
100		133						
M20X2.5	125	158	13					
	150	183						
	180	213						
	200	233						
	250	283						

PARTICULAR CASE IS MADE-TO-ORDER

Regd. Office : 5224, Nigam Market, G.B. Road, Delhi - 110006

Head Office : B-97/4, Naraina Industrial Area, Phase - I, New Delhi - 28 Ph.: 011 - 42709155 / 66 Fax : 011 - 45040209

Branch Office : Door No. 1/9, Rajamannar Salai, Vijayaraghavapuram, K.K. Nagar, Chennai - 600 093 Ph.: 044 - 42669808

Email : info@pbh.in

H-44

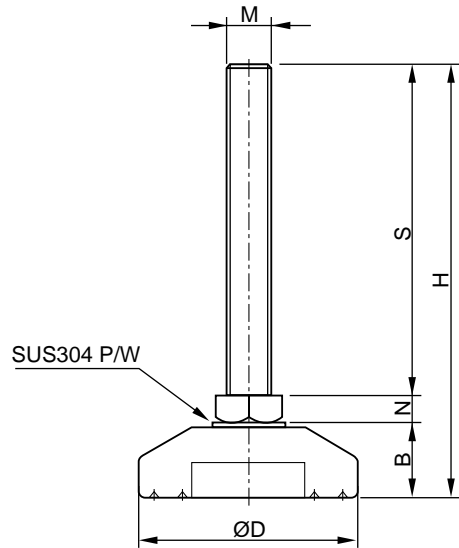
Website : www.pbh.in

LEVELING FOOT MOUNT

MF

(HEAVY DUTY & ULTRA HEAVY DUTY PURPOSE)

STEEL & STAINLESS



MODEL	DIMENSIONS (m/m)						FINISH	4EA/kg
	D	M	S	H	N	B		
MF (STEEL) SMF (SUS)	53	M12X1.7.5	50	77	8	19	MF SMF	1000 1500
			70	97				
			100	127				
			125	152				
			150	177				
	64	M12X1.75	50	79	8	21		1200 2000
			70	99				
			100	129				
			125	154				
			150	179				
	64	M16X2.0	45	76	10	21		1600 2500
			70	101				
			100	131				
			125	156				
			150	181				
	78	M16X2.0	180	211	10	25		2000 3000
			200	231				
			250	281				
			45	80				
			70	105				
	64	M20X2.5	100	135	13	21		2500 3500
			125	160				
			150	185				
			180	214				
200			234					
78	M20X2.5	250	284	13	25	3000 4000		
		80	114					
		100	134					
		125	159					
		150	184					
78	M24X3.0	180	214	16	25	3000 4500		
		200	234					
		250	284					
		80	118					
		100	138					
98	M24X3.0	125	163	16	31	4000 5000		
		150	188					
		180	218					
		200	238					
		250	288					
98	M30X3.5	150	191	19	31	5000 6000		
		200	241					
		150	197					
		200	247					
		150	200					
			170	220				
			200	250				

PARTICULAR CASE IS MADE-TO-ORDER

Regd. Office : 5224, Nigam Market, G.B. Road, Delhi - 110006

Head Office : B-97/4, Naraina Industrial Area, Phase - I, New Delhi - 28 Ph.: 011 - 42709155 / 66 Fax : 011 - 45040209

Branch Office : Door No. 1/9, Rajamannar Salai, Vijayaraghavapuram, K.K. Nagar, Chennai - 600 093 Ph.: 044 - 42669808

Email : info@pbh.in

H-45

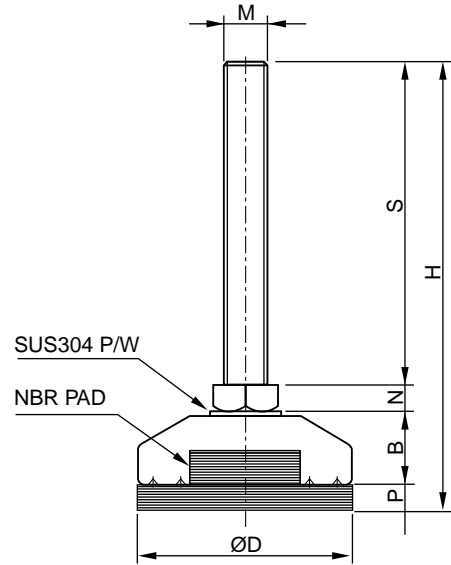
Website : www.pbh.in

LEVELING FOOT MOUNT

MFR

(HEAVY DUTY & ULTRA HEAVY DUTY PURPOSE CUSHIONING)

STEEL & STAINLESS



MODEL	DIMENSIONS (m/m)							FINISH	4EA/kg
	D	M	S	H	N	B	P		
MFR (STEEL) SMFR (SUS)	53	M12X1.7.5	50	86	8	19	9	MFR SMFR	1000 1500
			70	107					
			100	137					
			125	162					
			150	187					
	64	M12X1.75	50	88	9	21	9		1200 2000
			70	108					
			100	138					
			125	163					
			150	188					
	64	M16X2.0	200	238	10	21	9		1600 2500
			45	85					
			70	110					
			100	140					
			125	165					
	78	M16X2.0	150	190	10	25	10		2000 3000
			180	220					
			200	240					
			250	290					
			45	90					
	64	M20X2.5	70	115	13	21	9		2500 3500
			100	143					
			125	168					
			150	193					
			180	223					
	78	M20X2.5	200	243	13	25	10		3000 4000
			250	293					
			80	128					
100			148						
125			173						
78	M24X3.0	150	198	16	31	12	3000 4500		
		180	228						
		200	248						
98	M24X3.0	250	298	16	31	12	4000 5000		
		150	201						
		200	251						
98	M30X3.5	150	209	19	31	12	5000 6000		
		200	259						
		150	212						
			170	232					
			200	262					

PARTICULAR CASE IS MADE-TO-ORDER

Regd. Office : 5224, Nigam Market, G.B. Road, Delhi - 110006

Head Office : B-97/4, Naraina Industrial Area, Phase - I, New Delhi - 28 Ph.: 011 - 42709155 / 66 Fax : 011 - 45040209

Branch Office : Door No. 1/9, Rajamannar Salai, Vijayaraghavapuram, K.K. Nagar, Chennai - 600 093 Ph.: 044 - 42669808

Email : info@pbh.in

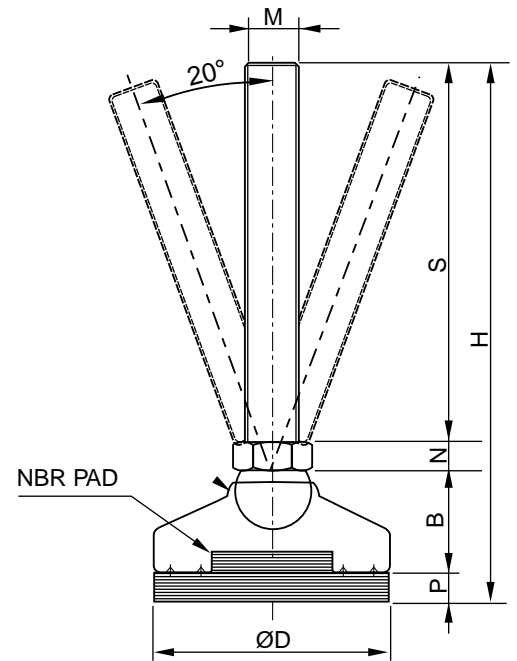
H-46

Website : www.pbh.in

LEVELING FOOT MOUNT

MFNR

(HEAVY DUTY PURPOSE CUSHIONING)
STEEL & STAINLESS



MODEL	DIMENSIONS (m/m)							FINISH	4EA/kg			
	D	M	S	H	N	B	P					
MFNR (STEEL) SMFNR (SUS)	58	M12X1.7.5	70	121	8	34	9	MFNR	1000 1500			
			100	151								
			125	176								
			150	201								
			200	251								
	78	M16X2.0	45	99	10	34	10		SMFNR	2000 2500		
			70	124								
			100	154								
			125	179								
			150	204								
		M20X2.5	180	234	13	34	10	3000 3500				
			200	254								
			250	304								
			100	157						16	12	4000 4500
			125	182								
	150	207										
	180	237										
	200	257										
	98	M24X3.0	250	307	19	34	12	5000 5500				
			100	162								
M30X3.5		150	212	19	34	12	5000 5500					
		200	262									
		150	215									
		170	235									
		200	265									

PARTICULAR CASE IS MADE-TO-ORDER

Regd. Office : 5224, Nigam Market, G.B. Road, Delhi - 110006

Head Office : B-97/4, Naraina Industrial Area, Phase - I, New Delhi - 28 Ph.: 011 - 42709155 / 66 Fax : 011 - 45040209

Branch Office : Door No. 1/9, Rajamannar Salai, Vijayaraghavapuram, K.K. Nagar, Chennai - 600 093 Ph.: 044 - 42669808

Email : info@pbh.in

H-47

Website : www.pbh.in

SOLUTIONS FOR INDUSTRIAL AUTOMATION

- Linear Guides
- Ball Screw & Lead Screw
- Ball Screw Support Unit
- Coupling
- Linear Motion Bearing
- Shafts (Hardened & Ground)
- Pillow Block Bearing Unit
- Precision Lock Nut & Power Lock
- Timing Belt & Pulley
- Actuators, X-Y Tables
- Maxima Work Table & Conveyor
- Stepper Motors, Drivers
- AC Servo Motors & Drive
- Motion & Controllers
- Rotary Indexing Tables
- Cable Drag Chain (Robochain)
- Aluminium Profile & Accessories
- Leveling Foot Mount & Autocaster



Maxima Conveyor



Maxima Work Table